



Ultrasonic humidifier

KIRIPET

FT-M43

Mobile type available in 3.0 l/h humidity output. Widely spray a mist through booster fan to reach a long humidification distance than conventional nozzle type humidifier. Comes equipped with germicidal device by UV lamps to enhance the hygiene humidification.

Functional.

Safe.

Easy to operate.

UCAN®

Features

- Mobile type with the wheels, no piping work needed.
- Booster fans spread the mist extensively and make it mix into the air quickly.
- Height of unit can be adjusted precisely with adjuster.
- Comes with 2 large-sized water tanks (13ℓ×2pcs). One time filling gives 8 hours continuous humidification.
- User friendly display panel.
- Stainless steel body that is durable and free from rust.

Applications

Offices

and factories where much heat is generated. Suitable for dust and static protection

Factories

of printing, textile, packaging, woodwork and film, etc. It is also useful for spot humidifying

Food processing

for cheese, brewery, distilled liquor and drying process of noodles, etc

Horticultural spray

for orchid, flowers and ornamental plant

Artificial cultivation

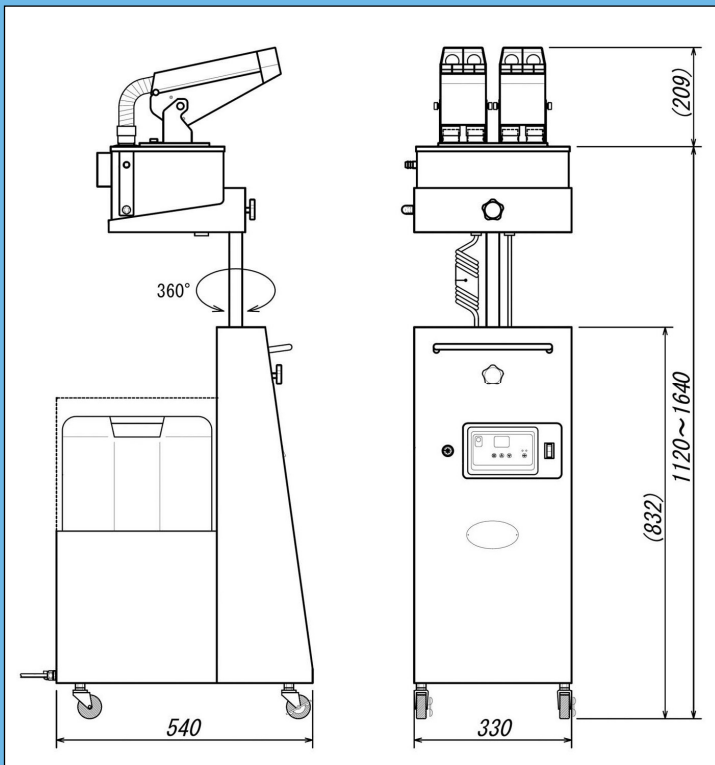
for various mushrooms



KIRIPET FT-M43

Standard Dimensions(mm)

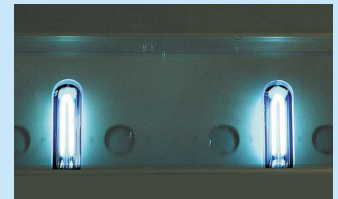
Drawings for CE Compliance, please contact us.



UCAN Technology - Power of UV lamp

Sterilizes the water without harming the human body.

The germicidal ray kills various kinds of bacteria and viruses by directly affecting DNA and RNA and sterilizes the water in the reservoir. Since no chemical substance is used in sterilization, the mist has no effect on the human body.



Specifications

Model	KIRIPET FT-M43
Humidity output (ℓ / h)	3.0
Power supply	1φ2W AC230V *
Power consumption (VA)	266
No. of oscillators (pcs)	4
Operational weight (kg)	61
Air volume (m ³ / min)	0.5 / 0.6 (50 / 60 Hz)×2
Water tank capacity	13ℓ×2pcs
Control system	On / Off control
Ambient condition	5...40℃ Max.85%RH
Replacement of oscillator	At about every 5,000 cumulative hours of operation
Safety equipment	Circuit breaker to prevent overcurrent, Device to prevent waterless operation, Thermostat to prevent water overheating (cutoff at 55℃), Surge filter

*Other power supply types can be available on request.

Your best humidifier of confidence

UCAN® UCAN CO., LTD.

5-6-19 SANDA-CHO, HACHIOJI, TOKYO 193-0832, JAPAN

URL <http://www.ucan.co.jp/eng/>

E-mail : ucan-information@ucan.co.jp

TEL +81-42-665-8846 FAX +81-42-661-3887

Specifications are subject to change without notice.

All UCAN trademarks and trade names are the property of UCAN CO.,LTD.

All other trademarks and trade names are the property of their respective companies.



REGISTERED ORGANIZATION
No.1524-ISO9001
No E2094-ISO14001



UCAN humidifier - made in JAPAN